

www.girbau.com

GIRBAU

MAQUINARIA PARA LAVANDERIA



DRYING TUMBLERS STI SERIES



MAXIMUM ENERGY EFFICIENCY WITH THE LEAST CONSUMPTION

STI-54 · STI-77

IMPORTANT!

GIRBAU STI DRYING TUMBLERS

OPTIMAL DRYING PERFORMANCE WITH MINIMUM CONSUMPTION

Efficient, environmentally friendly drying tumblers with a large load capacity and built to last.



OPTIMIZATION OF THE DRYING PROCESS

The new GIRBAU STI drying tumblers ensure an excellent capacity for evaporation. Their construction features also guarantee a high performance of drying.

Thanks to a powerful, well-sized heating system along with the high airflow provided by the fan, a well balanced air/heat flow is obtained. All models offer multiple drying cycles that permit the machine programming to improve the energy resources in any drying application, thanks to the microprocessor control.



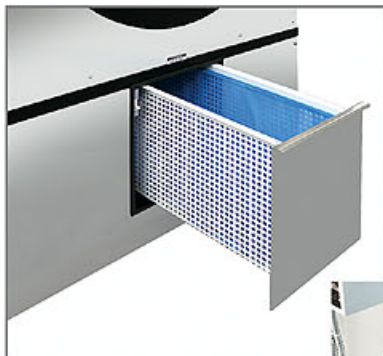
SAFE AND EASY TO USE

The ease of use, the introduction of ergonomic concepts and a state-of-the-art design make Girbau drying tumblers easier than ever to operate.

The extra-large loading door, along with the reverse system, and large-size drums enable linen to tumble loosely, allowing free air movement through fabric for thorough drying and very quick loading and unloading.

The easy programming and the continuous monitoring on the microprocessor panel provide careful processing of the clothes with a shorter drying time.

Another unique feature is an easy-access, easy-cleaning lint drawer located in the front of the exhaust fan. The filter will be cleaned more often, resulting in shorter and more efficient drying cycles. Maintenance and checking operations can easily be carried out on the microprocessor keypad.

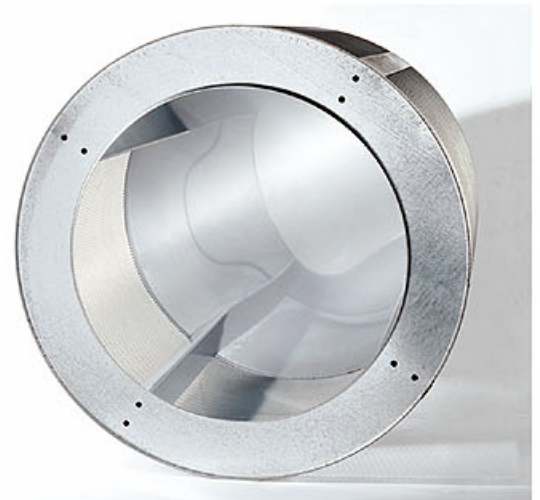


MACHINES BUILT TO LAST

All the components incorporated in the drying tumblers are designed to guarantee their durability.

The stainless steel drum (AISI-304), supported by industrial bearings, is capable of handling the most demanding work loads and help to extend the life of the machine.

The front panels are stainless steel AISI-304. The side panels and the cabinet are steel plate, powder painted electrostatically inside and out and baked, capable of withstanding the daily laundry environment conditions



OPTIMUM DRYING EFFICIENCY AND EXCELLENT LAUNDRY CARE

The STI drying tumblers incorporate easy to use controls that guarantee precision and safety.



EASY TO USE WITH PRECISION

GIRBAU STI dryers have a new inbuilt microprocessor control which is fitted as standard.

This versatile microprocessor makes it possible to work with different drying programmes. Multiple parameters can be incorporated into each programme such as: drying time, cool-down time, cool-down features, etc.

Like this, the user selects the drying programme most suited to each type of load and textile, providing the best possible laundry care combined with the optimum energy output.

It is also possible to programme a highly effective cool-down cycle which allows the laundry to be unloaded at the required temperature. The cool-down phase is effected by a top opening door, without having to cut the energy supply.

Anti-wrinkle function: the dryer will tumble without heat after the drying cycle has finished, reducing wrinkling.

Another safety feature is the Clean Lint feature which ensures that the user must clean the lint screen after a preset number of cycles.

SAFETY SENSORS

STI dryers are fitted with the Sensor Activated Fire Extinguishing system (F.S.S) which protects against the risk of fire or spontaneous combustion. If the sensor system detects a sharp increase of temperature, over and above the maximum permitted for the dryer, a safety device is activated which sprays water into the drum. Once the system is activated, the tumbler will continue to rotate every fifteen seconds to ensure that all articles have been extinguished. Although such systems are only obligatory in drying tumblers with a net volume of more than 3500l (following ISO 6182-1), STI dryers incorporate the F.S.S. system as standard.



Model STI-77



Model STI-54

HEATING ALTERNATIVES

STI-54

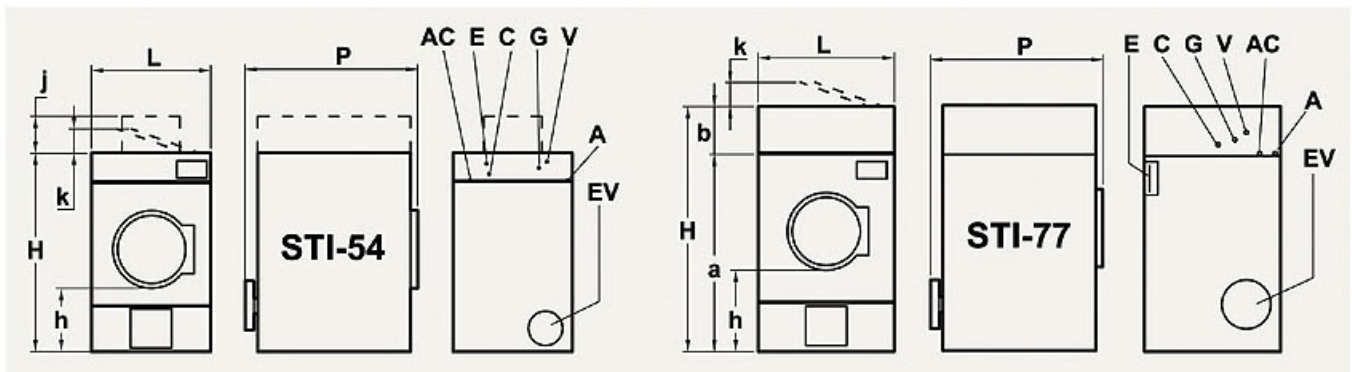
Natural Gas
Propane Gas
Electricity
Steam
Hot oil

STI-77

Natural Gas
Propane Gas
Steam
Hot oil

DRYING TUMBLERS STI

MODEL		STI - 54	STI - 54	STI - 77	STI - 77
HEATING		Elect / Gas	Steam / Hot Oil	Gas	Steam / Hot Oil
Capacity	kg (lbs)	54.4 (120)	54.4 (120)	77.1 (170)	77.1 (170)
Basket Diameter	mm (inch.)	1133 (44-5/8)	1133 (44-5/8)	1308 (51-1/2)	1308 (51-1/2)
Basket Depth	mm (inch.)	1070 (42-1/8)	1070 (42-1/8)	1079 (42-1/2)	1079 (42-1/2)
Basket Volume	dm ³ (cu.ft.)	1079 (38.1)	1079 (38.1)	1450 (51.2)	1450 (51.2)
Net Weight	kg (lbs.)	572 (1260)	645 (1421)	954 (2103)	1025 (2259)
Crated Weight	kg (lbs.)	635 (1400)	708 (1561)	1029 (2269)	1100 (2425)
Height H	mm (inch.)	2207 (86 7/8)	2057 (81)	2540 (100)	2362 (93)
Width L	mm (inch.)	1235 (48-5/8)	1235 (48-5/8)	1413 (55-5/8)	1413 (55-5/8)
Depth P	mm (inch.)	1784 (70-1/4)	1784 (70-1/4)	1765 (69-1/2)	1765 (69-1/2)
Door bottom floor h	mm (inch.)	657 (25-7/8)	657 (25-7/8)	848 (33-3/8)	848 (33-3/8)
Damper k	mm (inch.)	-	204 (8)	-	204 (8)
Water Ø (FSS) A	(mm) inch.	(11.5) 3/4"	(11.5) 3/4"	(11.5) 3/4"	(11.5) 3/4"
Steam Ø V	(mm) inch.	-	(31.75) 1-1/4	-	(38.1) 1-1/2
Return Ø C	(mm) inch.	-	(31.75) 1-1/4	-	(38.1) 1-1/2
Gas supply Ø G	inch.	1 N.P.T.	-	1 1/2 N.P.T.	-
Exhaust Ø EV	(mm) inch.	(355) 14	(355) 14	(457) 18	(508) 20
Compressed air Ø AC	(mm) inch.	-	(6.35) 1/4	(6.35) 1/4	(6.35) 1/4
Air consumption 6 bar	l/h (c.f.h.)	-	120 (4.25)	120 (4.25)	120 (4.25)
Motor power E	kW (H.P.)	2.8 (3 3/4)	2.8 (3 3/4)	6.34 (8 1/2)	6.34 (8 1/2)
Electric heating EL	kW	72	-	-	-
Electric supplement j	mm (inch.)	355 (14)	-	-	-
Voltage Electric heating		3Ph 400V 50Hz 3Ph 380V 60Hz	-	-	-
Gas heat input	kW (BTUH)	110 (375000)	-	161 (550000)	-
Voltage Gas-Steam heating		3Ph 400V 50Hz 208, 220, 380, 440V 60Hz	3Ph 400V 50Hz 208, 220, 380, 440V 60Hz	3Ph 400V 50Hz 208, 220, 380, 440V 60Hz	3Ph 400V 50Hz 208, 220, 380, 440V 60Hz
Steam flow	kg/h (lbs/h.)	-	204.2 (450)	-	329 (725)
Steam pressure	bar (P.S.I.)	-	8.6 (125)	-	8.6 (125)
Airflow	m ³ /h (c.f.m.)	3660 (2150)	3660 (2150)	6300 (3700)	7475 (4400)
Shipping dimensions L x P x H (a) (box 1)	mm (inch.)	1240x1588x2058 (49x63x81)	1240x1588x2058 (49x63x81)	1524x1727x2210 (60x68x87)	1524x1727x2210 (60x68x87)
Shipping dimensions L x P x H (a) (box 2)	mm (inch.)	1240x1588x584 (49x63x23)	-	1575x1753x584 (62x69x23)	1575x1753x584 (62x69x23)



GIRBAU, S.A. reserves the right to change design and/or specification without notice.



GIRBAU, S.A. Ctra de Manlleu, km. 1 - 08500 Vic (Barcelona) Spain - Tel. (+34) 93 886 1100 - Fax (+34) 93 886 0785
girbau@girbau.es - www.girbau.com

BRANCHES

Argentina - Buenos Aires - Tel. +54-1 149017600 - girbauargentina@girbau.com.ar

Brazil - Sao Paulo - Tel. +55 11-69820446 - girbaudobrasil@girbau.com.br

China - Shenzhen - Tel. +86-755-8211 1330 - info@girbau.com.cn

Cuba - La Habana - Tel. (+53-7) 8662071 al 73 - girbau@girbau.co.cu

France - Roissy (Paris) - Tel. +33 1-49388585 - info@girbau.fr
Grésy-sur-Aix - Tel. +33 479348080 - jm@jeanmichel.fr

Germany - Hannover - Tel. +49-5119357570 - girbau@girbau.de

U.A.E. - Dubai - Tel. +971 4-8839951 - girbau@emirates.net.ae

U.K. - London - Tel. +44(0)-2082057285 - sales@viking-girbau.com

U.S.A. - Oshkosh, WI - Tel. +1(920) 2318222 - info@cont-girbau.com