

GIRBAU

LAUNDRY EQUIPMENT

GIRBAU SPR-50 WATER EXTRACTION PRESS



- Single stage water extraction press, loading capacity 50 kg (110 lbs).
- Suitable for pressing linen batches from all types of continuous batch washers.
- Versatile, simple and reliable operation.
- Optimal extraction press for high productivity and efficiency.

TBS BATCH WASHER SYSTEM

SPR-50 PRESS



SPR-50 WATER EXTRACTION PRESS

GIRBAU



HIGH EXTRACTION FOR ALL TYPE OF GOODS

The high extraction ratios and the gentle treatment of the linen, provide excellent production capability, thereby enhancing the drying and ironing process. With high capacity drain capability, quick, gentle and efficient extraction of water is achieved for all types of linen. The extracted water is pumped to the batch washer for reuse.

The high extraction capacity of the SPR-50 press, and the low energy consumption saves time and energy thus reducing the costs of the associated drying process.

MULTIPLE PRESSURES AND THE BEST TREATMENT

Highly efficient oil dynamic circuit permits pressing between 6 to 40 bar. of hydraulic pressure.

All press and display functions are controlled by a PLC, 16 press programmes are available as well as optional manual functions. The operator can program the pressure, pressure time, etc.

The SPR-50 single stage press is available in three different positioning options at the batch washer outlet: in-line, turns to right, or, turns to left.

BUILT TO LAST

The press plate is provided with a self-guiding system. The reception basket is guided on a single column, facilitating very precise self-centering. The water filled membrane provides excellent, even cushioning during the pressing process. The white membrane is fully reinforced for long life and is able to withstand the rigors of high use.

All parts in contact with the linen are in superior grade AISI-304 stainless steel.

EASY INSTALLATION AND LOW MAINTENANCE

The SPR-50 water extraction press is delivered completely assembled and factory tested which facilitates problem free installation..

Most of the SPR- 50 press electrical components are the same as those used in TBS-50 batch washer and ST-100 batch dryer and are inter-changeable facilitating easy and convenient service..

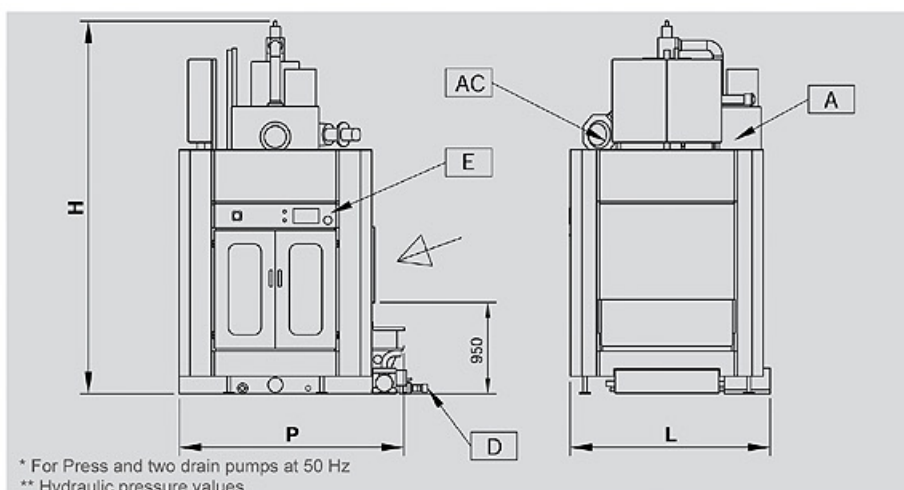
OPTIONAL EXTRAS

Most of the features in the SPR-50 press are standard:

Special Options include:

- Special software with variable pressure built-up for Goretex
- Extended transport belt for special angle version

MODEL		SPR - 50
Loading capacity	kg (lbs.)	50 (110)
Max Pressure **	bar (psi)	40 (508)
Min.cycle time	secs.	90 (at 27b)
Nominal cycle time	secs.	100 (at 40b)
Cake Ø	mm (inch.)	1000 (39.4)
Net weight	kg (lbs)	12000 (5454.5)
Gross weight	kg (lbs)	12200 (5545.5)
Height H	mm (inch.)	3410 (134.3)
Width L	mm (inch.)	1835 (72.2)
Depth P	mm (inch.)	2065 (81.3)
Drain Ø D	mm (inch.)	130 (5.1)
Water cooling Ø A	mm (inch.)	14 (½)
Water cooling flow	m ³ /h (c.f.m.)	3 (1.75)
Water cooling pressure	bar (psi)	3 - 12 (43.5 - 174)
Compressed Air Ø AC	mm (inch.)	14 (½)
Comp. Air flow 6 bar	l/min (USgal/min)	52.8 (14.3)
Total Electrical Power E*	kW (H.P.)	17 (22.8)
Voltage		220-480 V 3-Ph 50/60 Hz



GIRBAU S.A. reserves the right to change and/or construction without notice.

